



Premium fixture enhances productivity, safety and security

Designed to withstand the world's harshest environments

500 model delivers up to 80,000 lumens and replaces 1000W HID fixtures

250 model delivers up to 40,000 lumens and replaces 400W HID fixtures

High efficacy lighting with greater than 140 lumens per watt

Key Applications

Large area high mast
Roadway high mast
Shipyards high mast
Container yard high mast
Hangar lighting
Aviation ramps and aprons
Prison large areas
Military bases
Industrial facilities

Compliances

UL/cUL Listed to:

- UL 1598 Suitable for Wet Locations
- UL 8750 for LED Equipment
- CSA C22.2 No. 250.0

DLC

International Dark Sky Association approved (WW options)

IP66 (without twist-lock receptacle)

Buy American Act (BAA)

Specifications

Construction	High strength, AL5052 aluminum Built-in, adjustable visor (optional - GG)
Finish	Weather-resistant powder coat
Hardware	Marine grade stainless steel
Light source	Premium LED modules 250 model, 40,000 lumens and up to 265W 500 model, 80,000 lumens and up to 530W CCT: Cool white (5000K), neutral white (4000K), warm white (3000K) UV-resistant, polycarbonate lens
Lifetime	50,000 hours at up to 45°C 100,000 hours at up to 35°C
Power source	90 - 305 VAC, 50/60 Hz (120-277V) 249 - 528 VAC, 50/60 Hz (277-480V) Waterproof to IP67 20kV/10kA surge protection
Power factor	> 0.9 at 277V
Ambient operating temperature	-40°C to +45°C
Mounting	Trunnion mount (standard); 5° indexed aiming Pipe mount (optional) accommodates NPS 2.00 inch (2.38 inch OD)
Fixture weight	250 model - 31 lb (14.1 kg) 500 model - 39.5 lb (17.9 kg)
EPA (wind load)	250 model - 0.96 sq. ft. (0.09 m ²) 500 model - 1.21 sq. ft. (0.11 m ²)
Warranty	5 years

For IES files, see website or contact factory



This product complies with domestic preference requirements such as BAA or TAA. For additional information, visit phoenixlighting.com or consult your representative.

Highland® Series

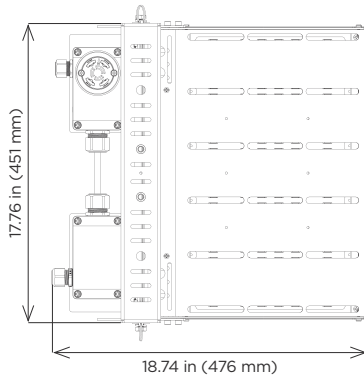
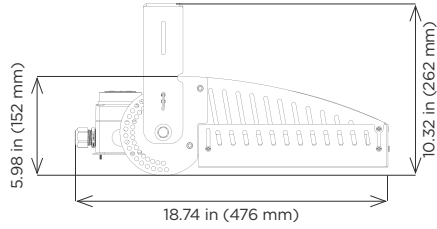
High Mast & Area LED Floodlight

PHOENIX®
DURABILITY X DESIGN™

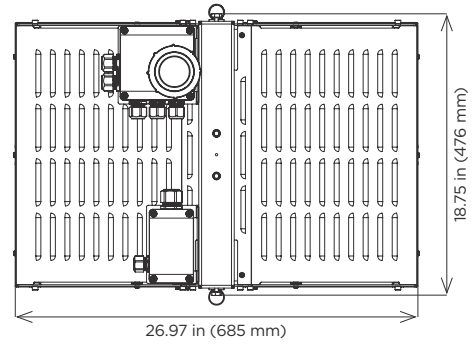
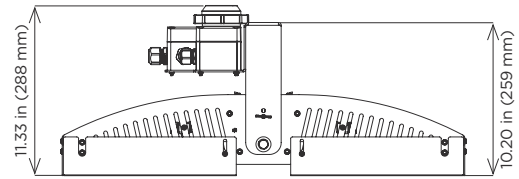
Dimensions

Note: Models shown with twist-lock receptacle option.

250 Model

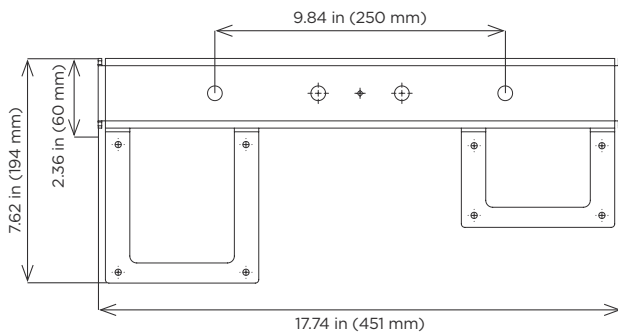


500 Model



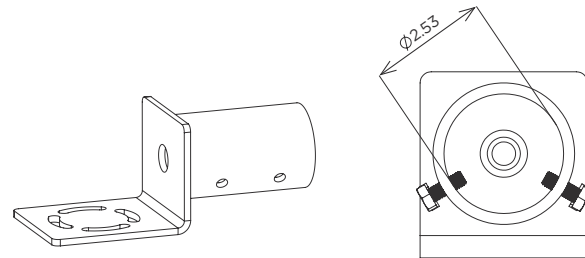
Mounting

Trunnion Mount (standard)



Pipe Mount Kit

PM



Ordering Information

Example: HL-500-LX-277-480-NW-TR-PM-GG¹

Fixture	Model	Optic	Voltage	CCT ²	Options
HL	250	LT	120-277	CW	PM
	500	LQ	277-480	NW	GG ⁴
		LR		WW ⁴	TR ^{1,3,5}
		LZ			
		LV			
		LX			

Model	Optic	Voltage	CCT ²
250 40,000 lumens and up to 265W	LT Narrow spot	120-277 120-277V, 50-60Hz	CW Cool white LEDs (5000K)
500 80,000 lumens and up to 530W	LQ Medium spot	277-480 277-480V, 50-60Hz	NW Neutral white LEDs (4000K)
	LR Wide spot		WW ⁴ Warm white LEDs (3000K)
	LZ Type II		
	LV Type IV		
	LX Type V		

Options

PM	Pipe mount, accommodates NPS 2.00 inch (2.38 inch OD)
GG ⁴	Glare guard
TR ^{1,3,5}	Twist-lock receptacle (required for Synapse [®] Lighting Controller)

Notes

- 1 TR comes standard with shorting cap
- 2 Additional color temperatures available upon request
- 3 IP63 with twist-lock receptacle
- 4 International Dark Sky Association approved
- 5 Dimming when using Synapse[®] TL7 Controller

Special Projects: We may be able to accommodate your special projects, so please don't hesitate to ask about additional options. Minimum order quantities and/or extended lead times will apply. Contact your Phoenix representative with specific inquiries.

Accessories (order separately)

Twist-lock Photocontrol

KIT, HM-PC-120 (120-277V)
KIT, HM-PC-480 (480V only)

Synapse[®] Twist-lock Lighting Controller

SYN-TL7-HVG (120-480V)

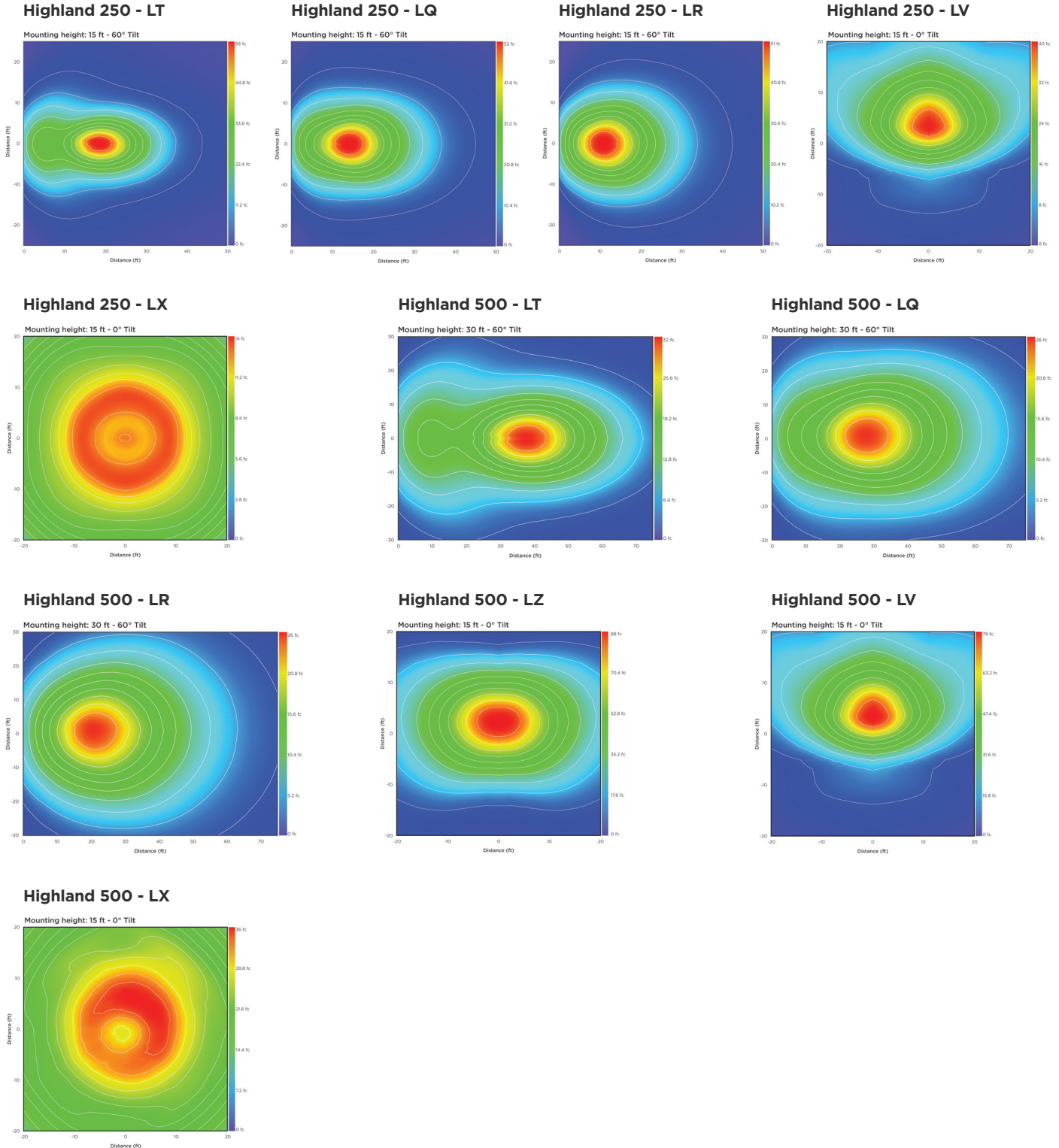
Highland[®] Series

High Mast & Area LED Floodlight

PHOENIX[®]
DURABILITY X DESIGN™

Isolux Charts

Charts shown reflect cool white LEDs.



Product design and specifications are subject to change without notice. The most current version of this specification sheet can be found at www.phoenixlighting.com.