

Portable Explosion-proof LED Floodlight



Explosion-proof portable LED floodlight rated for hazardous and wet locations

For use in chemical plants, drilling rigs, refineries and other hazardous locations

LED technology increases efficiency, eliminates maintenance and supports green initiatives

Key Applications

Chemical plants
Drilling rigs
Refineries
Grain processing and storage facilities
Wastewater treatment plants
Power plants
Fuel depots
Food and beverage processing facilities

Compliances

ETL/cETL Certified to:

- UL 1598 Ordinary Locations
- UL 1598A Marine Outside Type (Saltwater)
- UL 844 Suitable for Hazardous Locations
 - Class I, Division 1 Groups C & D
 - Class I, Division 2 Groups A, B, C & D
 - Class II, Divisions 1 & 2 Groups F & G
 - Class III, Divisions 1 & 2
 - T4A (120°C) Temperature Rating
- CSA C22.2 No. 250.0, 94.0, 213.0, 137.0, 30.0

NEMA 4X

Buy American Act (BAA)

Build America Buy America Act (BABA)

Specifications

Construction	Marine grade cast aluminum shell, cover and sealed fittings Marine grade wrought aluminum handle bracket Threaded joints are lubricated with non-drying petrolatum
Finish	Yellow thermoset powder coat
Hardware	Stainless steel
Lens	¾ inch thick tempered glass
Light source	Up to 3800 lumens, 44W Conformal coated modules Flood (45°) and spot (28°) optics available CCT 5000K 50,000 hour rated life
Power source	120-277V, 50-60Hz Fully potted (2 per fixture) Replaceable Over-voltage, over-current and short-circuit protection
Power factor	> 0.9
Wiring	Supplied with 50 feet of 16/3 type SOW cord Wire entrance is factory sealed
Mounting	Portable base has three holes Marine grade wrought aluminum base and harp
Ambient operating temperature	-20°C to +40°C
Weight	Fixture: 26.5 lb (12.0 kg) Packaged: 29.2 lb (13.2 kg)
Warranty	5 years

For IES files, see website or contact factory



This product complies with domestic preference requirements such as BABA. For additional information, visit phoenixlighting.com or consult your representative.



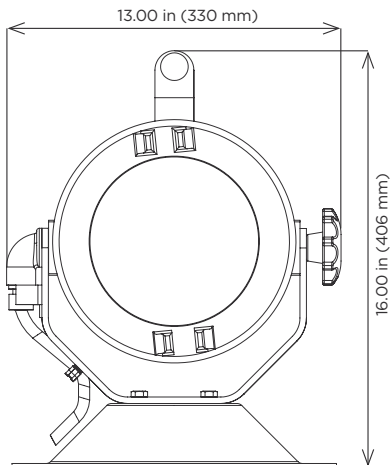
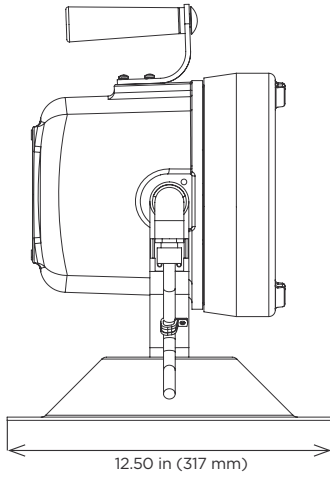
This product complies with domestic preference requirements such as BAA or TAA. For additional information, visit phoenixlighting.com or consult your representative.

SLXP LED

Portable Explosion-proof LED Floodlight

PHOENIX[®]
DURABILITY X DESIGN™

Dimensions



Ordering Information

Example: SLXPLED-FL-V2

Fixture	Optics	Generation
SLXPLED	FL	V2
	SP	

Optics

FL 45° flood optic
SP 28° spot optic

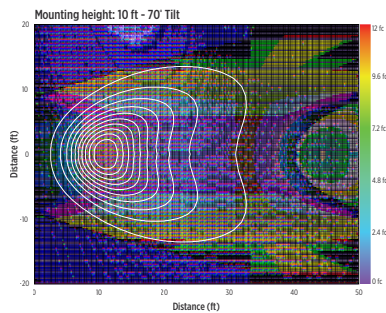
Generation

V2 Version 2, Osram LEDs - standard

Special Projects: We may be able to accommodate your special projects, so please don't hesitate to ask about additional options. Minimum order quantities and/or extended lead times will apply. Contact your Phoenix representative with specific inquiries.

Isolux Charts

SLXP LED - Flood



SLXP LED - Spot

